

Installation instructions

For set # 11.3112

2016 Mazda MX-5 Miata ND

Rear Control Arm Bushing Set



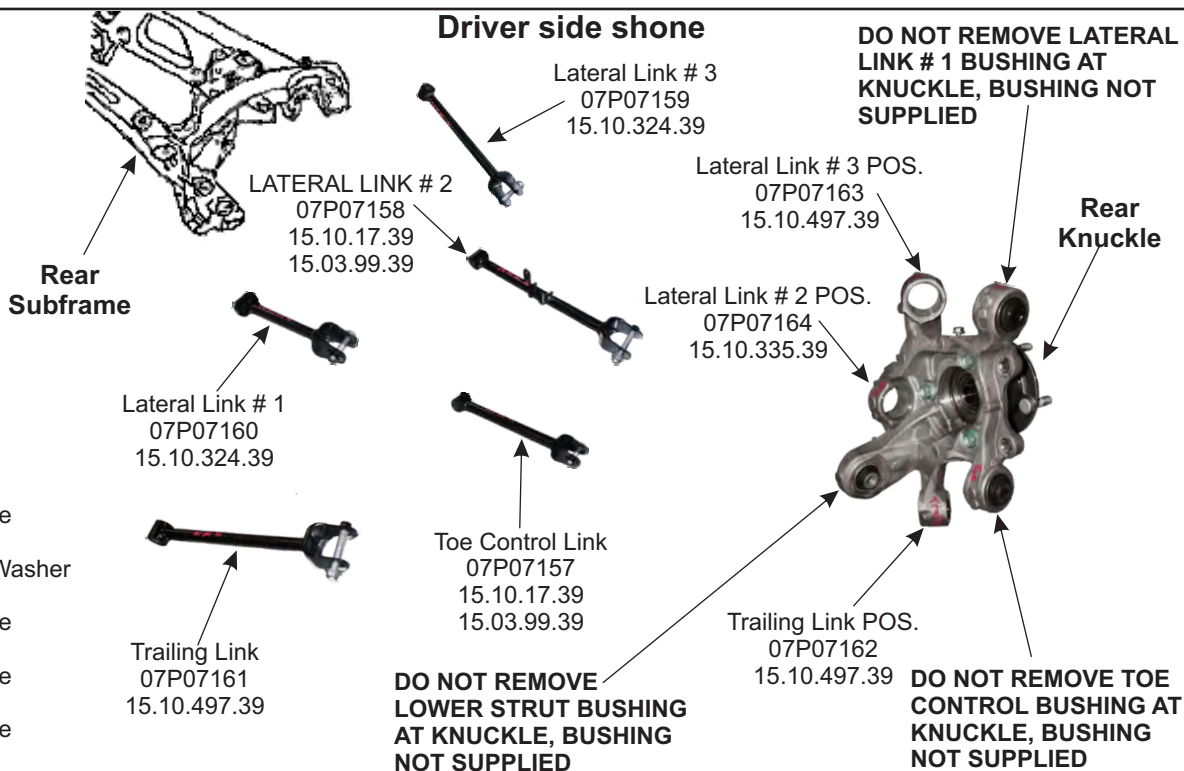
1131 VIA CALLEJON, SAN CLEMENTE, CA 92673

© 2016 Energy Suspension. All rights reserved.
May not be reproduced, in any form, or by any means,
without the written consent of Energy Suspension.

It is recommended that if you are unfamiliar with this type of work that you refer to a qualified service center specializing in this type of work. It is also recommended that if you choose to do this work yourself that a factory service manual be obtained for the proper procedures pertaining to removal, replacement and proper torque specifications for your vehicle. This instruction set is intended as a guideline for the safe installation of Energy Suspension's polyurethane bushings, once you have removed the factory components from your vehicle. Wheel alignment is almost always disturbed when suspension components are removed or replaced. It is recommended that you have the alignment checked on your vehicle at a qualified alignment shop. Energy Suspension recommends that you read over all the installation instructions and check all P/N's and quantities in the parts list before you start. Call customer service at 949-361-3935 if the parts in your kit do not match this parts list. Prior to installation, make sure that your vehicle is in excellent mechanical condition and that there are no suspension or steering related problems. This part has been designed to work only with a vehicle that is in good state of repair. No matter how carefully we design our parts, this is one area we have no control over and cannot be held responsible.

Parts list: 11.3112

- 4 - 07P07157
Rear Toe Control Link
- 4 - 07P07158
Rear Lateral Link # 2
- 4 - 07P07159
Rear Lateral Link # 3
- 4 - 07P07160
Rear Lateral Link # 1
- 4 - 07P07161
Rear Trailing Link
- 2 - 07P07162
Trailing Link At Knuckle
- 2 - 07P07163
Lateral Link # 3 at Knuckle
- 2 - 07P07164
Lateral Link # 2 at Knuckle
- 4 - 15.10.17.39
.875" x .625" x 1.960" Sleeve
- 8 - 15.03.99.39
1.295" x .500" x .225" Cap Washer
- 4 - 15.10.324.39
.875" x .500" x 2.140" Sleeve
- 6 - 15.10.497.39
.875" x .500" x 1.880" Sleeve
- 2 - 15.10.335.39
.875" x .500" x 1.943" Sleeve
- 1 - 17P17678
Instruction Sheet



BUSHING REMOVAL/INSTALLATION

ATTENTION: We recommend acquiring a Mazda factory workshop manual for all warnings and procedures to safely remove and install the rear knuckle, rear trailing link, toe control link, lateral links 1, 2 & 3.

REMOVAL: Properly lift and support the vehicle with jack stands. Remove both rear wheels. Place matchmarks on the front and rear adjusting cams before you start. You will need to use these matchmarks to reinstall the toe control link and lateral link # 2 back in the same position after the new polyurethane bushings are installed. Only remove one link at a time, this will keep from mixing up the links into different positions and ease reinstallation of the links. To remove the rubber bushing and sleeve out of the eye of the link. Use a propane or MAPP gas torch and slowly heat the exposed circumference of the eye. **USE EXTREME CAUTION WHEN HEATING AND REMOVING THE OLD RUBBER AND SLEEVE AS THEY ARE UNDER PRE-LOAD AND CAN "SHOOT" OUT OF THE EYE.** Make sure to keep the flame moving and not to hold it in one spot for too long. It is usually best to work the flame around the outside of the bushing in a circle. When sizzling/smoke is seen, the bond between the bushing and eye is broken and the bushing can be carefully pushed out with pliers or a screwdriver. Once bushing/sleeve is out, clean out all scraps of rubber and use emery paper to remove the sharp edges from ID of eye as preparation for new polyurethane bushing. The factory rubber bushing at the lower trailing link position on the knuckle is not bonded and has no metal shell to press out. To remove the bushings from the lower trailing link position on the knuckle use a piece of all-thread, tubing, flat washers and nuts. The tubing needs to be big enough for the old bushing to fall into. Tighten the nuts until the old bushing falls out. The lateral link # 2 position on the knuckle has an outer metal shell and must be pressed out. Inside diameter of the knuckle is $\varnothing 1.615$ " (41mm). Press out old bushing with something smaller than 1.615". The lateral link # 3 position on the knuckle has an outer metal shell and must be pressed out. Inside diameter of the knuckle is $\varnothing 1.500$ " (38.1mm). Press out old bushing with something smaller than 1.500"

INSTALLATION: Grease all sides of the bushing that contact metal. Grease the I.D. of the eyes and the O.D. of the new sleeves. Use an arbor press to install the new polyurethane bushings. Reinstall the links into the vehicle and torque all nuts and bolts to factory specs. It is recommended that you have the alignment checked on your vehicle at a qualified alignment shop after replacing the bushings.

Installation instructions

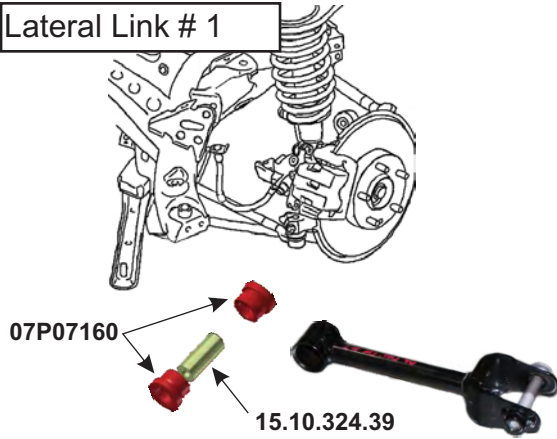
For set # 11.3112

2016 Mazda MX-5 Miata ND Rear Control Arm Bushing Set

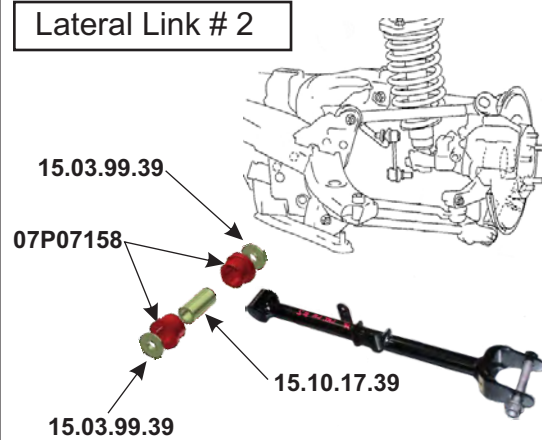
1131 VIA CALLEJON, SAN CLEMENTE, CA 92673

© 2016 Energy Suspension. All rights reserved.
May not be reproduced, in any form, or by any means,
without the written consent of Energy Suspension.

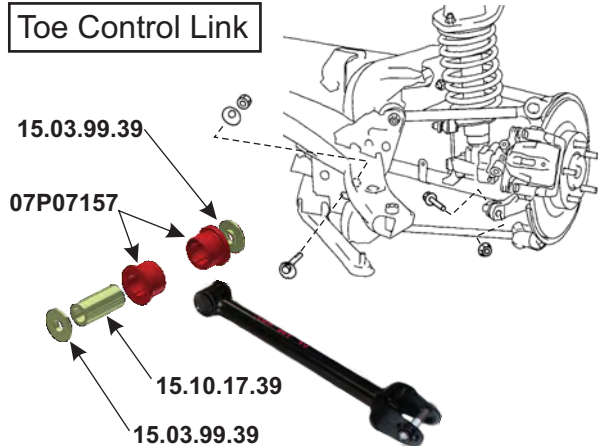
Lateral Link # 1



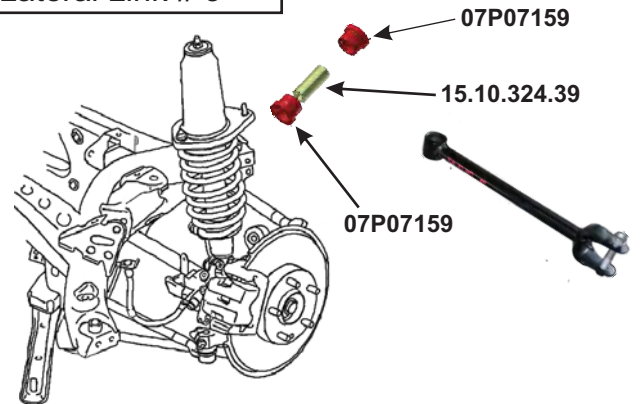
Lateral Link # 2



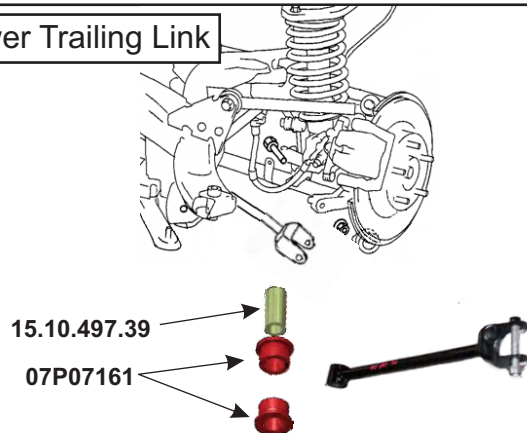
Toe Control Link



Lateral Link # 3



Lower Trailing Link



Rear Knuckle

